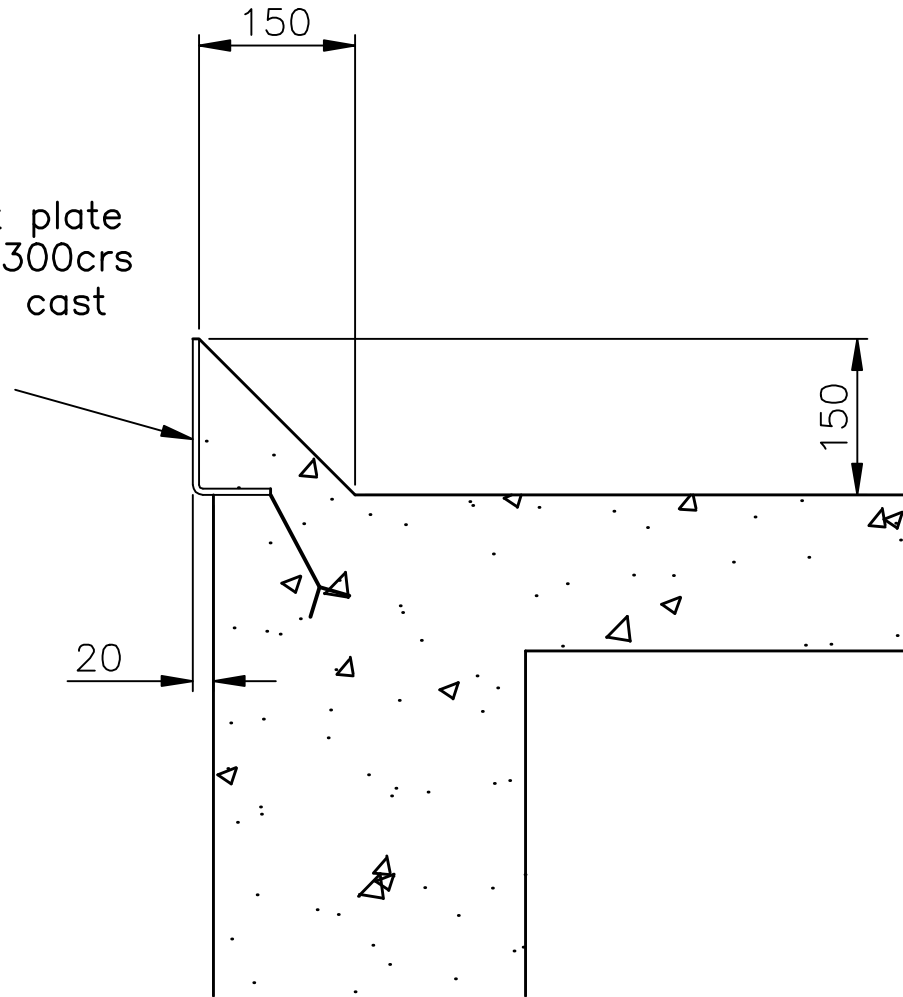


150x75x6 bent plate
with tangs at 300crs
galvanized and cast
into concrete



CHANNEL NIB DETAIL