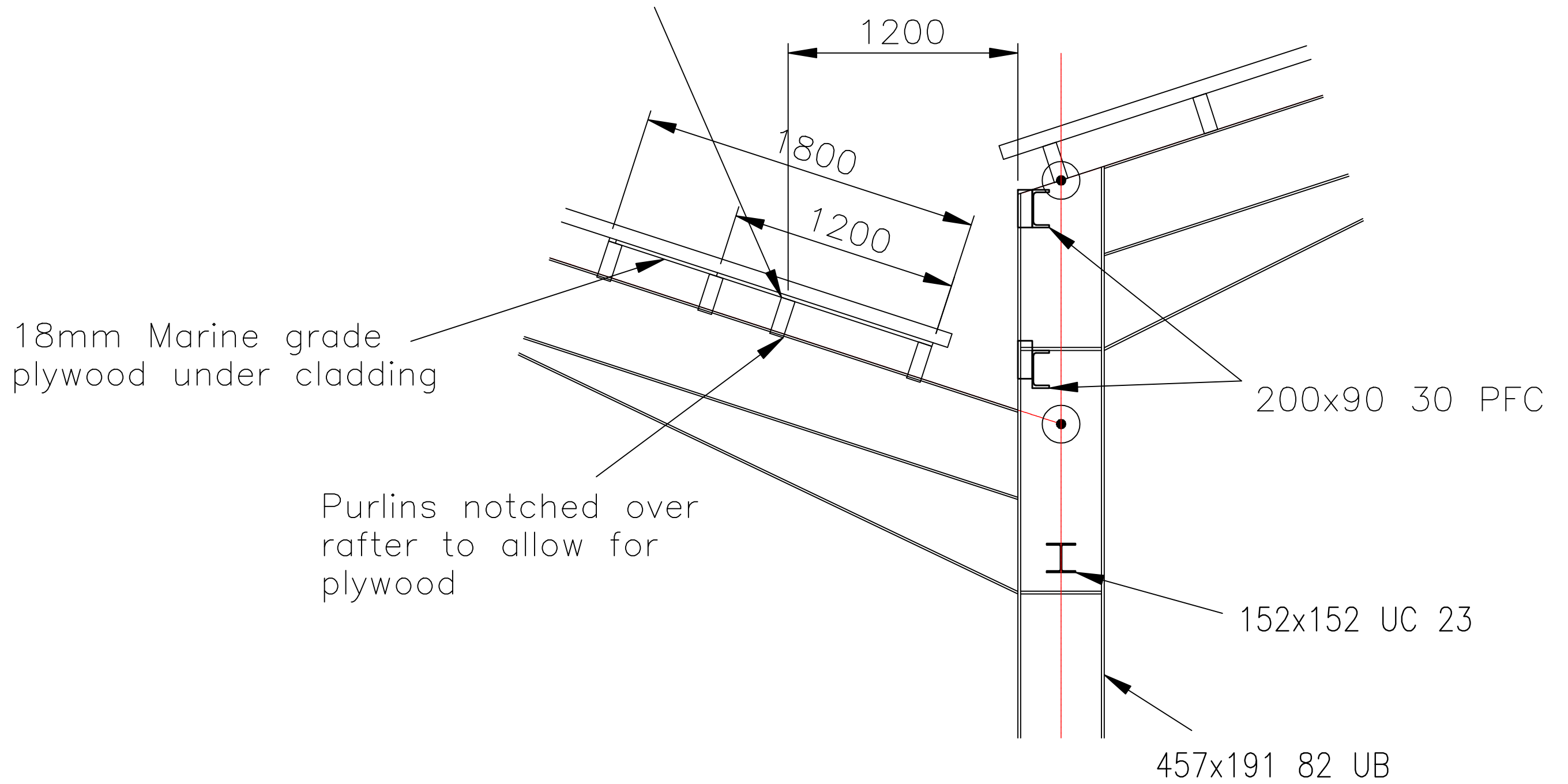


Self arrest system fixed to this purlin for details see Architects specification



18mm Marine grade plywood under cladding

Purlins notched over rafter to allow for plywood

200x90 30 PFC

152x152 UC 23

457x191 82 UB

EAVES DETAIL