

Hinges 32mm pin through 25mm plate

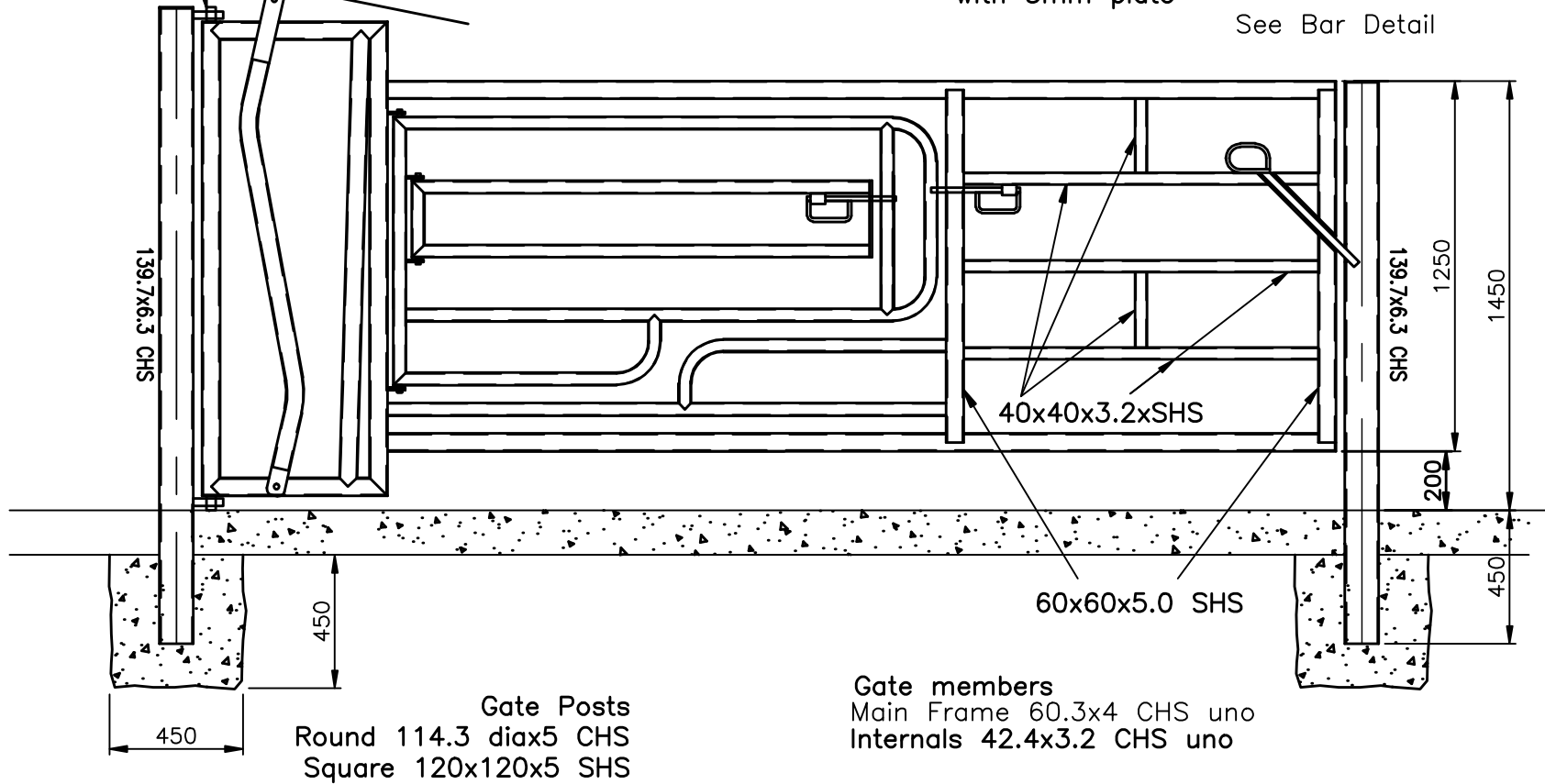
Ratchet mech and release

All gates shall lock in open and closed position.

All posts capped with 5mm plate

See Bar Detail

m



GATE TYPE C

Type C is a specialist calving gate.
Fabrication drawings will be required for approval
and a sample gate produced for inspection.